

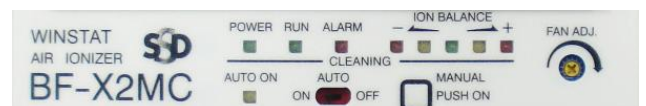
# WINSTAT BF-X2MC



## Fan Type Ionizer

NEW

Model BF-X2MC is update model of BF-2ZC with automatically cleaning emitter function as maintenance free performance.



### FEATURE

**Automatically emitter cleaning (once per day), and manual cleaning available**

**Ion Balance indicator**

**With SSD HDC-AC Technology, keep long stability performance**

**Safety function with Pulse discharge detection, Over current detection**

**With alternative front louver, you can use for long distance or wide area ionization.**

**Easy angle adjustable with locked for each angle**

**Alarm function: High voltage abnormal and locked Fan with alarm output**

## Specifications

|                       |  |
|-----------------------|--|
| Model Name            | BF-X2MC  |
| Input voltage         | DC24V (AC Adaptor AC100~240V available)  |
| Capacity              | 18VA   |
| Output Voltage        | ± 7,500V <sub>0-p</sub>  |
| Ion Balance Voltage   | Below 5V (Distance: 300mm)   |
| Air flow              | 1.4 ~ 3.2m <sup>3</sup> /min   |
| Air Speed             | 1.8 ~ 3.6m/sec (With straight Louver: 300mm center)<br>0.4 ~ 0.6m/sec (With Wide angle Louver: 300mm center)   |
| Ozone Level           | Below 0.004ppm (Distance: 150mm)   |
| Available environment | 0 ~40°C / 15~85%RH (without condensation)  |
| Filter                | Pre filter level   |
| Signal Output         | ①ALARM: MOS FET Relay Non-Voltage contact (NC)<br>(HV abnormal, or Fan abnormal: OFF)<br>②ION BALANCE: MOS FET Relay Non-Voltage contact (NC)<br>(Ion Balance abnormal: OFF) |
| Dimensions            | 150 x 182 x 75mm (WxHxD)   |
| Gross Weight          | Approximately 1,2kg (with stand frame)   |
| Sound Level           | 59dB(A) (Distance: 1m)   |
| Accessories           | Operation Manual, AC Adaptor,<br>Wide angle louver,<br>Signal output cable   |
| Optional part         | Filter (10 pcs)  |

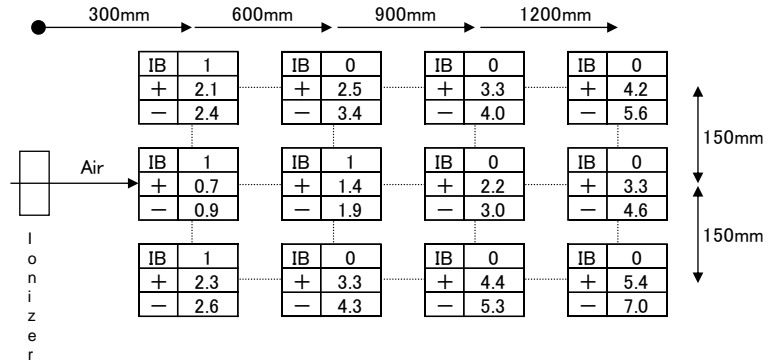
## Optional Part

● Replace Filter (10 pcs/pack): **OBF-F2MA-1-10**

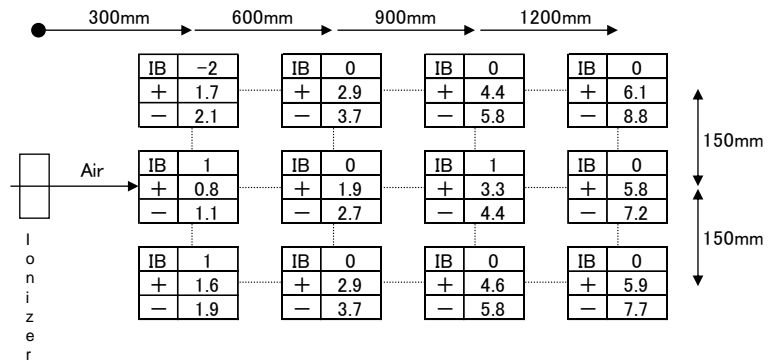


## Decay Performance

### Decay Performance with Straight Louver



### Decay Performance with Wide angle Louver

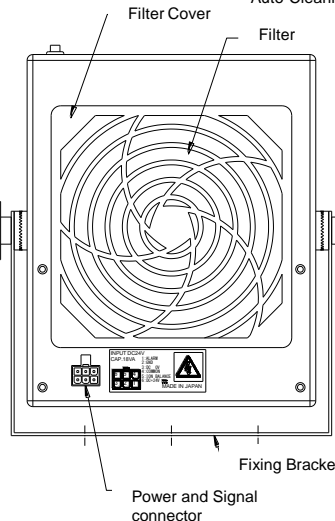
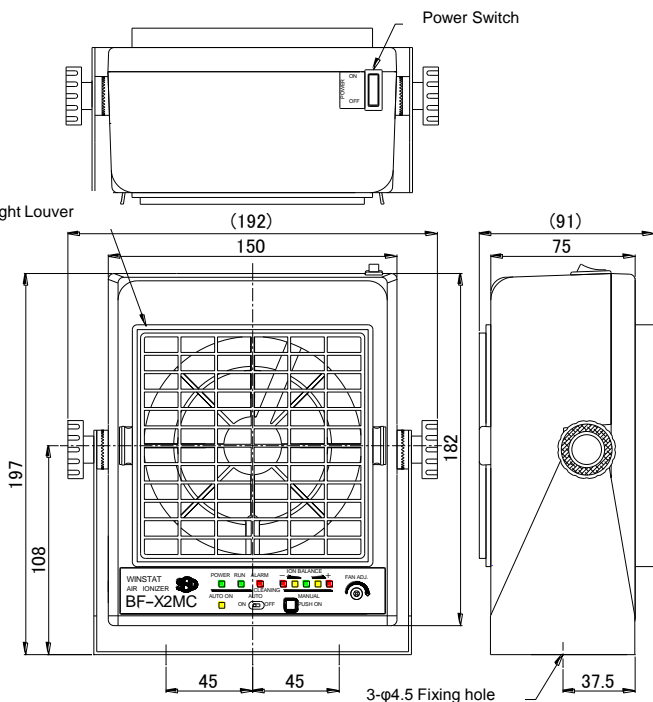
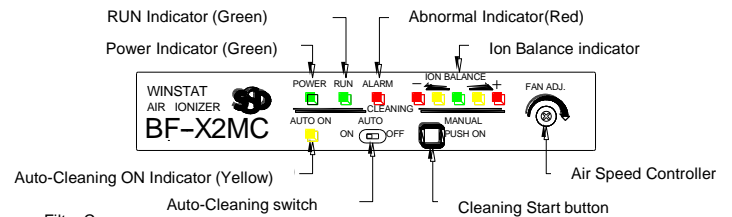


IB: Ion Balance (V)  
+: Decay time from +1000V to +100V (second)  
-: Decay time from -1000V to -100V (second)

\*1: Measured by CPM with 150mm x 150mm (20pF) plate  
\*2: With Maximum fan speed with filter  
\*3: This is actual data, not guaranteed data

## Outlook

### Indications



### Connector Pin Layout



1: ALARM  
2: GND  
3: DC 0V  
4: COMMON  
5: ION BALANCE  
6: DC+24V